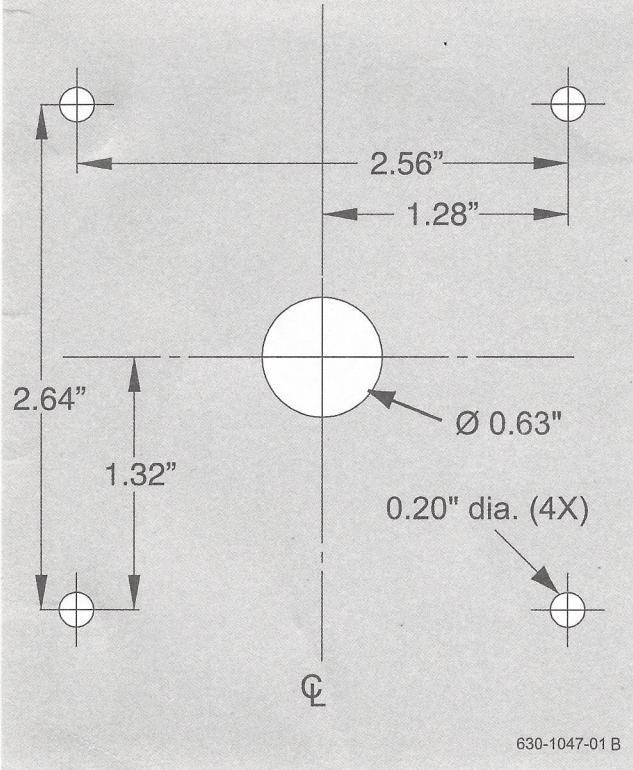


Vend/Vendi No-Flange Bezel Drill Template



630-1047-01 B